

STRG6352:

The STRG6352 IC is used in the Bosch Side-by-Side control board. ICs are also known by other names such as integrated circuit, integrated circuit or microchip. An IC is a set of electronic circuits that are located on a flat piece of semiconductor material.

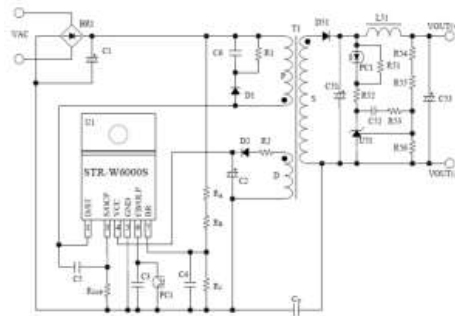
The STR-G6352 IC is a switching regulator type IC. The current of this IC is 7.2 amps, its voltage is 650 volts and its power is 120 watts. It should also be noted that this IC has 5 pins.

One of the advantages of this switching regulator is its high efficiency compared to a linear regulator. Small volume and lightness are also other features of the switching regulator.

Application: Side-by-side control board of Bosch / Siemens / Neff / Daewoo

STR-G6352 switching IC is used in the power supply of the board.

Technical specifications of STR G6352 IC



STR G6352 Switching IC Features:

1. Flyback switching regulator
2. Quasi-resonant operation
3. Low loss standby mode, pulse ratio control
4. Latched overvoltage and thermal protection
5. Tuned soft gate drive

6. Adjustable switching speed for EMI control

7. Latched overvoltage and thermal protection